

# BAUMANN GX 50 - 70

Diesel

5 - 7 t Load Capacity

**NEW**



CAVAION SIDELOADERS  
**BAUMANN** 

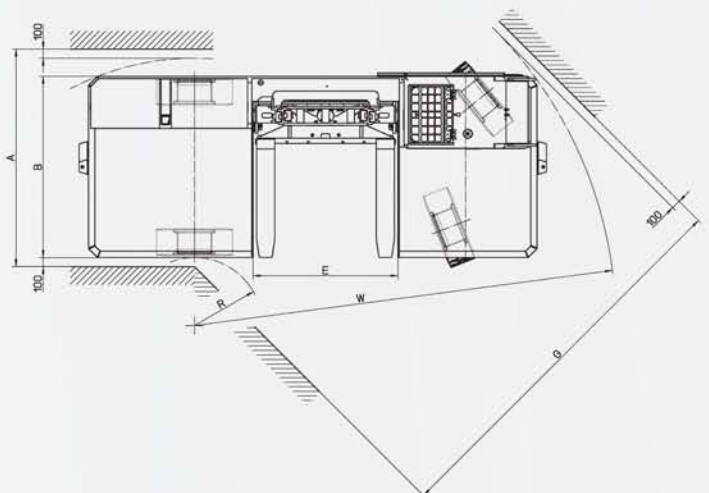
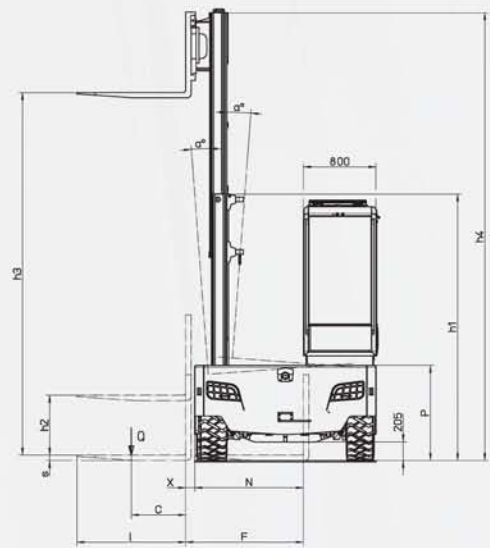
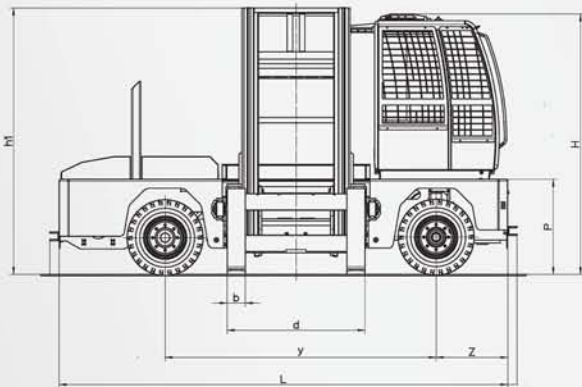
TYPE			Series GX 50	Series GX 60	Series GX 70
<b>Technical Data</b>					
Lifting capacity	Q	Kg	5000	6000	7000
Load center	C	mm	600/700	600/700	600/700
Fork lenght	l	mm	1200/1400	1200/1400	1200/1400
Fork widht	b	mm	200	200	200
Fork thickness	s	mm	50	50/60	60
Drive			Diesel	Diesel	Diesel
Type of steering			hydrostatic		
Type of tyres			Pneumatic tyres		
<b>Dimensions</b>					
Total lenght	L	mm	4950	4950	4950
Total widht	B	mm	2000/2200	2000/2200	2070/2270
Overall height mast lowered	h1	mm	2940	2940	3070
Overall height mast extended	h4	mm	4940	4940	5070
Cabine height	H	mm	2850	2850	2850
Lift height	h3	mm	4000	4000	4000
Free lift	h2	mm	660	660	920
Inclanation up/down		°	4.4/3.6	4.4/3.6	4.4/3.6
Platform height	P	mm	1050	1050	1050
Platform widht	N	mm	1200/1400	1200/1400	1200/1400
Lateral movement	F	mm	1300/1500	1300/1500	1300/1500
Load spacing max.	x	mm	100	100	100
Framework cut	E	mm	1600	1600	1630
Fork spacing max	d	mm	1520	1520	1520
Turning radius inner	R	mm	750	750	750
Turning radius outer	W	mm	4700/4820	4700/4820	4730/4850
Aisle widht	A	mm	2400/2600	2400/2600	2470/2670
Aisle widht for 90° Turning	G	mm	4355/4475	4355/4475	4399/4519
<b>Performance</b>					
Travel with/without load		Km/h	22/24	22/24	22/24
Lifting with/without load		m/s	0.35/0.4	0.35/0.4	0.35/0.4
Lowering with/without load		m/s	0.38/0.34	0.38/0.34	0.38/0.34
Traverse with/without load		m/s	0.36	0.36	0.36
Tractive power		kN	36	36	36
Gradeability		%	20/27%	19/27%	18/27%
<b>Weights</b>					
Weight of truck		Kg	9200	9500	10600
Axle load front		Kg	6900	7500	8500
Axle load rear		Kg	7400	8100	9150
<b>Chassis</b>					
Tyres front/rear			2/2	2/2	2/2
Tyres size front/rear		Inches	300-15	300-15	355/65-15
Tyres outside diameter		mm	840	840	843
Wheel base	Y	mm	2990	2990	2990
Track front	Sp1	mm	1640/1840	1640/1840	1640/1840
Track rear	Sp2	mm	1670/1870	1670/1870	1670/1870
Ground clearance		mm	240	240	240
Service brake	hydraulic		Front		
Parking brake	hydraulic		Drive Wheels		
<b>Drive</b>					
Diesel engine manufacturer			VM R754EU5	VM R754EU5	VM R754EU5
Type		KW	70	70	70
Power		PS	95	95	95
Speed		n/min	2300	2300	2300
Cylinder / displacement		x/cm <sup>3</sup>	4/3000	4/3000	4/3000
Transmission			Forward/Reverse		
Gearbox			hydrostatic		
Battery		V/Ah	1x110Ah - 850EN - 12V	1x110Ah - 850EN - 12V	1x110Ah - 850EN - 12V



# BAUMANN GX 50 - 70

Stability and performance – two usual characteristics of this model range, have been further improved by fitting the new revolutionary mast out-reach system. The system has been patented getting the intellectual property right. The new GX , equipped with new environmental comply Euro 3B engine, grants the best reliability ensuring a great reduction in the maintenance costs of the truck.

GX 50 - 60	Lift Height	Lowered	Extended	Free Lift	GX 70	Lift Height	Lowered	Extended	Free Lift
	h3 mm	h1 mm	h4 mm	h2 mm		h3 mm	h1 mm	h4 mm	h2 mm
<b>Duplex-Standard-mast ST</b>	3300	2590	4240	660	3300	2720	4370	920	
	4000	2940	4940	660	4000	3070	5070	920	
	4500	3190	5440	660	4500	3320	5570	920	
	5000	3440	5940	660	5000	3570	6070	920	
	5500	3590	6440	660	5500	3820	6570	920	
	6000	3940	6940	660	6000	4070	7070	920	
	6500	4190	7440	660	6500	4320	7570	920	
<b>Triplex-Freeliftmast TR</b>	4500	2440	5440	1465	4500	2570	5570	1465	
	5100	2640	6040	1665	5100	2770	6170	1665	
	5400	2740	6340	1765	5400	2870	6470	1765	
	5700	2840	6640	1865	5700	2970	6770	1865	
	6000	2940	6940	1965	6000	3070	7070	1965	
	6300	3040	7240	2065	6300	3170	7370	2065	
	6600	3140	7540	2165	6600	3270	7670	2165	
	6900	3240	7840	2265	6900	3370	7970	2265	
	7200	3340	8140	2365	7200	3470	8270	2365	
	7500	3440	8440	2465	7500	3570	8570	2465	



Some details of the new patented « mast outreach » system developed by Baumann.

## BAUMANN SIDELOADERS

### THE ORIGINAL SIDELOADER FROM CAVAION

For over 40 years, the BAUMANN name has been synonymous with production of high quality, high specification side-loaders. The Company adopts a policy of continuous improvement and embraces new technology as and when it comes available to the benefit of our customers and distribution partners. The extended BAUMANN net-



work of distributors and service partners have been specifically selected for their professionalism and adoption of the consultative approach taken centrally by the BAUMANN Company.

CAVAION SIDELOADERS   
**BAUMANN**®

BAUMANN S.r.l.  
I-37010 CAVAION (Verona)  
Via Palesega, 1  
Telephone +39 045 6 20 53 11  
Fax +39 045 6 20 53 55  
info@baumann-online.it  
www.baumann-online.it